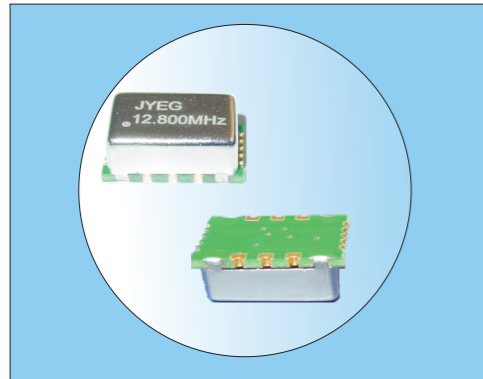


Crystal Oscillators

Temperature Compensated Crystal Oscillator / TCXO-1409



Features

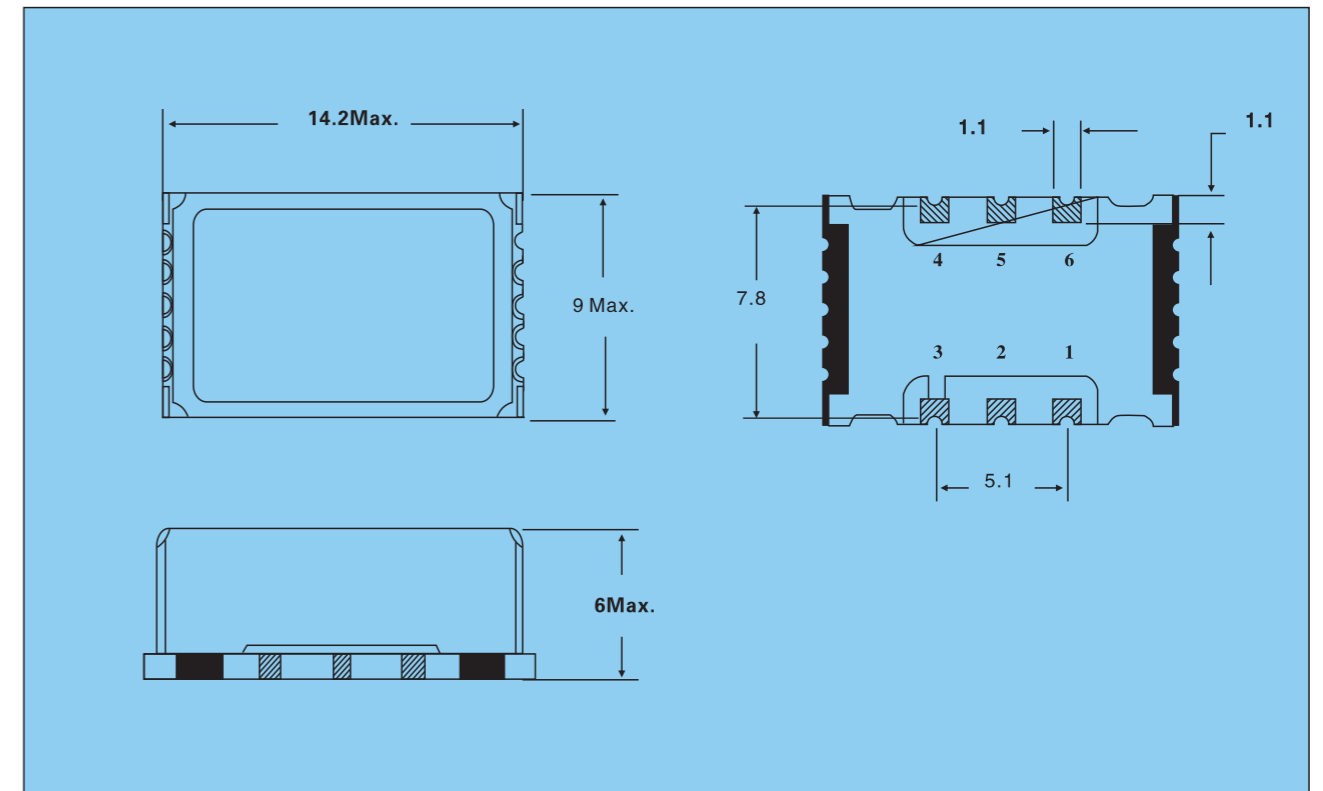
- JYEG part number: JYTC1409
- Small Dimension
- Clock Stratum3
- Low Phase Noise
- Low Supply Power

TYPICAL SPECIFICATIONS

Type	TCXO1409
Standard Frequency	10、12.8、19.44、20、25.5535、38.88MHz
Frequency Range	10~40MHz
Frequency Stability vs. Temperature	±0.28ppm
Operating Temperature Range	-40°C ~+85°C
Output Load	15pF
Start-up Time	2mS
Input Current	6mA(max) 4mA(type)
Input Voltage	3.3VDC ± 10%
Frequency Stability vs. Supply Voltage	±0.1ppm(VDD ± 5%)
Frequency Stability vs. Load	±0.1ppm(CL ± 10%)
Aging	±0.5ppm/year ±2.5ppm/10year
Phase Noise(12.8M)	10Hz, -80dB
	100Hz, -110dB
	1kHz, -135dB
	10kHz, -150dB
	100kHz, -150dB

Crystal Oscillators

TCXO-1409



TEST CIRCUIT

