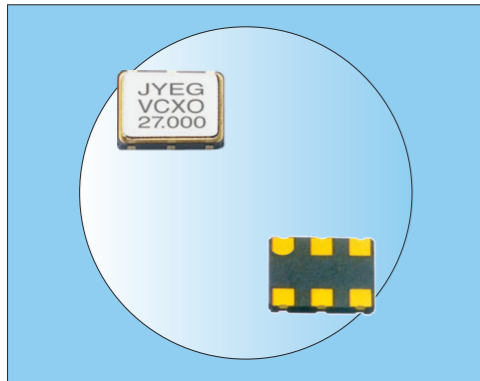


Crystal Oscillators

Voltage Controlled Crystal Oscillator/SMD7050



Features

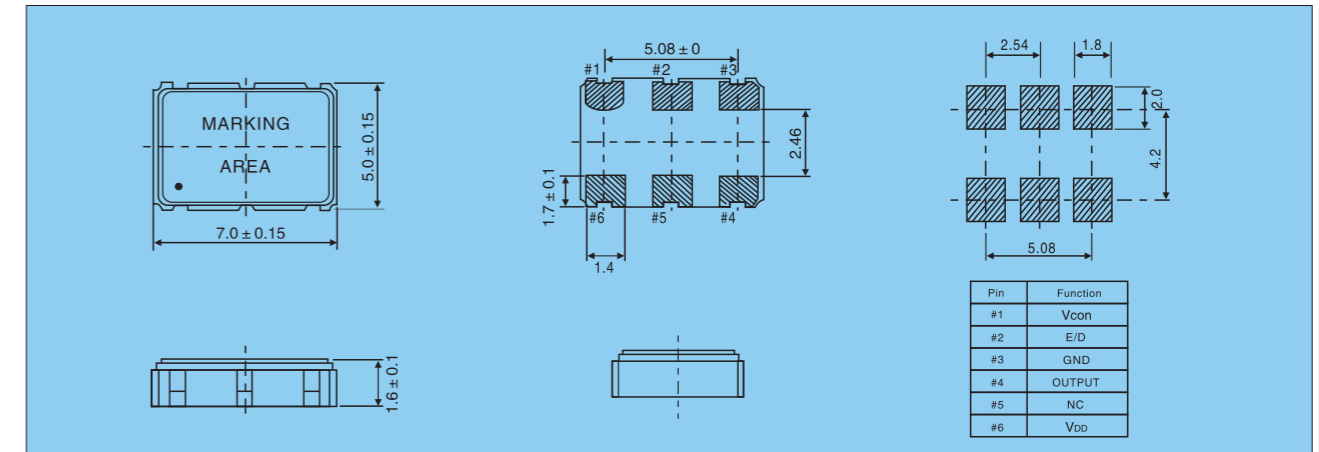
- JYEG part number: JYVCD7
- 3.3V supply voltage
- CMOS/TTL output
- Tri-state function available
- Tape and reel available

TYPICAL SPECIFICATIONS

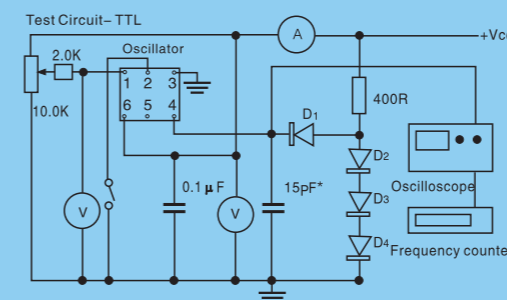
Type	VCXO SMD7050
Frequency Range	1.544~70.656MHz
Frequency Stability	$\geq \pm 25\text{ppm} / \geq \pm 35\text{ppm}$
Operating Temperature Range	$-20^{\circ}\text{C} \sim 70^{\circ}\text{C} / -40^{\circ}\text{C} \sim 85^{\circ}\text{C}$
Supply Voltage(V)	$3.3\text{V} \pm 10\%$
Input Current (mA)	$\leq 20\text{mA}$
Duty Cycle	40%~60% Normal, 45%~55% Tight
Rise/Fall Time(nS)	6ns Max
"0" Level	10%VDD Max for CMOS
"1" Level	90%~VDD Min for CMOS
Output Load	CMOS 15~30pF/1~5TTL
Start-up Time(mS)	3ms Max
Pulling Range	$\pm 50\text{ppm}$ Min, $\pm 100\text{ppm}$ Typical
Control Voltage Range	10%VDD~90%VDD
Center Control Voltage	50%VDD
Linearity	10%Max
Tri-state	Pin2:0.7VDD Min(High) or open, Output:Enable Pin2:0.3VDD Max(Low), Output:Disable
Jitter	5.0 Ps Max
Aging	$\pm 5\text{ppm/year}$ Max
Storage temperature Range	$-55^{\circ}\text{C} \sim 125^{\circ}\text{C}$

Crystal Oscillators

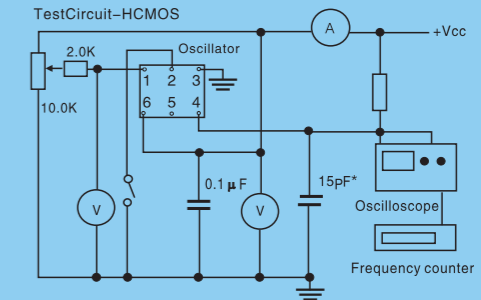
VCXO SMD7050(JYVCD7)



Test Circuit-TTL



Test Circuit-CMOS



TAPE AND REEL DIMENSIONS

