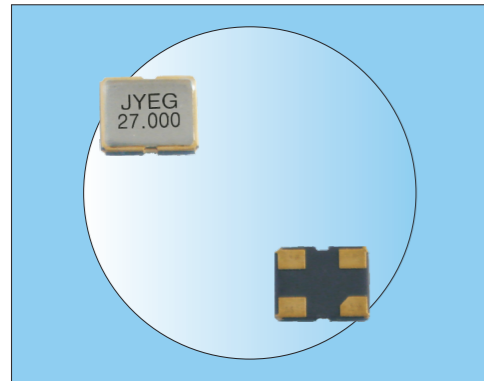


# Crystal Clock Oscillators

## Clock Oscillator/SMD3225



### Features

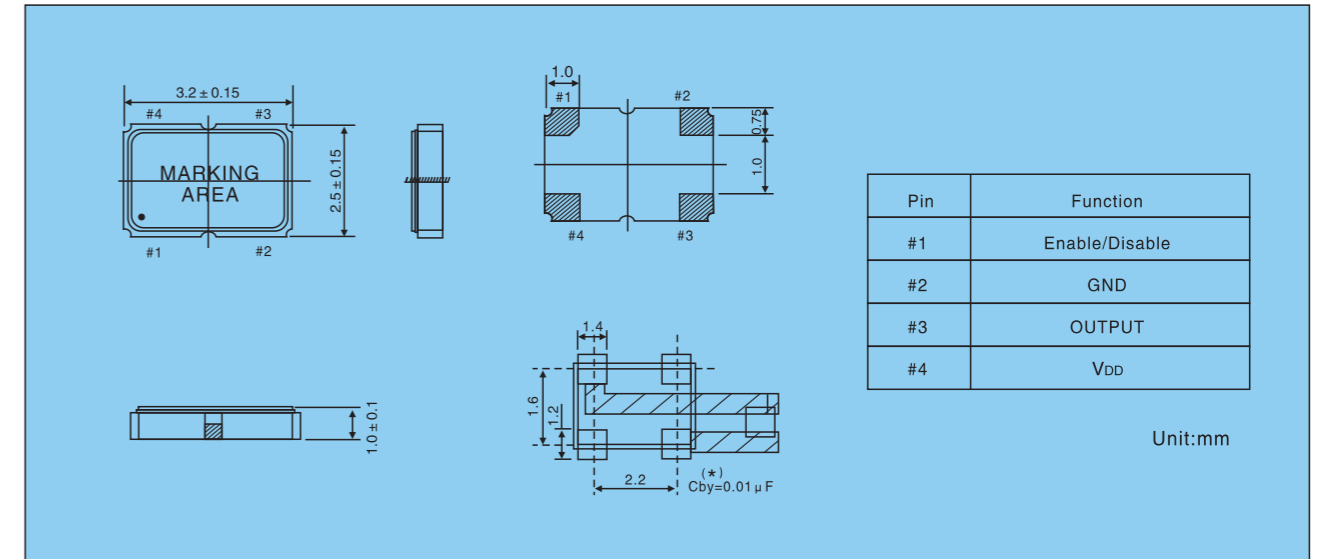
- JYEG part number :JYOD3
- 1.8–3.3V 5Vsupply voltage
- CMOS/TTLs ouput
- Tri–state function available
- Tape and reel available

### TYPICAL SPECIFICATIONS

Type	OSC SMD3225	
Frequency Range	32.768KHz, 1–80MHz	
Frequency Stability	$\geq \pm 20\text{ppm}/\pm 25\text{ppm}$	
Operating Temperature Range	$-20^{\circ}\text{C}\sim 70^{\circ}\text{C}/-40^{\circ}\text{C}\sim 85^{\circ}\text{C}$	
Output Load	1–5TTL or COMS 30pF Max	
Input Current	$\leq 35\text{MHz}$	$\leq 8\text{mA}$
	$35\sim 50\text{MHz}$	$\leq 16\text{mA}$
	$50\sim 80\text{MHz}$	$\leq 25\text{mA}$
Supply Voltage	$5.0\text{V} \pm 10\%/3.3\text{V} \pm 10\%/2.5 \pm 10\%/1.8 \pm 10\%$	
Start-up Time	1ms Max	
Duty Cycle	40%–60% Normal,45%–55% Tight	
Rise/Fall Time	5ns Max	
Output "0" Level	TTL	CMOS
	0.4V Max	10%VDD Max
Output "1" Level	TTL	CMOS
	2.4V Min	90%VDD Min
Tri-state	Pin1:0.7 VDD Min(High)or open,Output:Enable Pin1:0.3 VDD Max(Low),Output:Disable	
Jitter	5.0ps Max	
Aging	$\pm 5\text{ppm}/\text{year}$ Max	
Storage Temperature Range	$-55^{\circ}\text{C}\sim 125^{\circ}\text{C}$	

# Crystals Clock Oscillators

## OSC SMD3225(JYOD3)



### TAPE AND REEL DIMENSIONS

