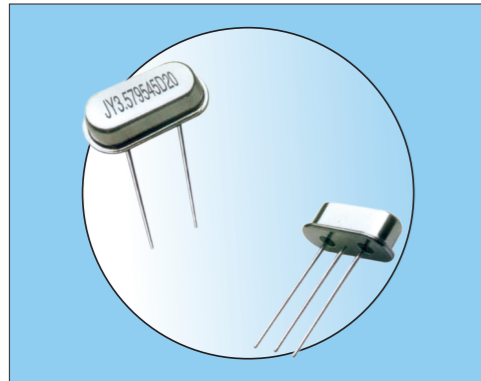


# Quartz Crystals

Quartz Crystal Unit/HC - 49US, HC - 49US(2.5), HC - 49US - 3

CRYSTAL



## Features

- JYEG part number: JYS1, JYS2, JYS1-3
- AT, BT available
- TAPE & Reel, insulator tab, 3rd lead
- Custom lead length options
- Tight tolerance/stability

## TYPICAL SPECIFICATIONS

Type	HC-49US(3.5mm)	HC-49US[2.5]	HC-49US-3
Frequency Range	3.4875 ~ 41MHz	24~44MHz	24.576~75MHz
Mode of Vibration	AT Fundamental	BT Fundamental	3rd Overtone
Resonance Resistance(Ω)	150~25	30~40	120~60
Frequency Tolerance at 25°C	± 5ppm~ ± 50ppm		
Shunt Capacitance	7pF Max		
Frequency Stability Over Temperature Range	AT CUT(See table)	BT CUT	± 50ppm/0°C~+50°C ± 100ppm/-10°C~+60°C ± 125ppm/-20°C~+70°C
Load Capacitance	5~50pF or Series		
Insulation Resistance	> 500MΩ/DC100V ± 15V		
Drive Level	200nW~1mW		
Aging	± 3ppm~5ppm/year		

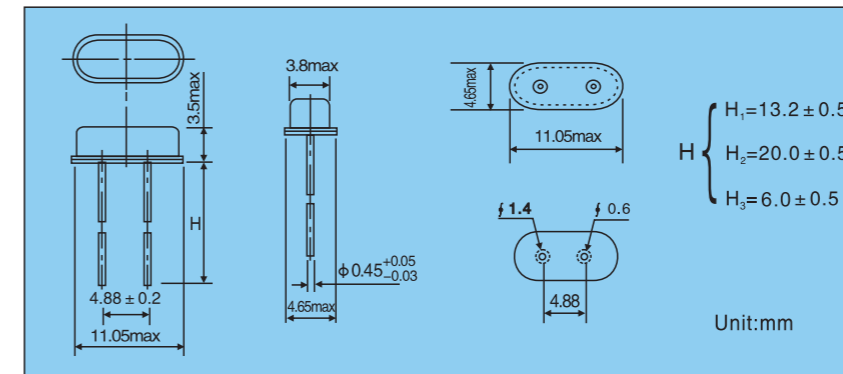
## FREQUENCY STABILITY OVER TEMPERATURE RANGE(AT CUT)

Temperature Range	Frequency Stability						
	± 3ppm	± 5ppm	± 10ppm	± 15ppm	± 20ppm	± 30ppm	± 50ppm
0°C~+50°C	☆	☆	☆	☆	☆	☆	☆
-10°C~+60°C		☆	☆	☆	☆	☆	☆
-20°C~+70°C			☆	☆	☆	☆	☆
-40°C~+85°C				☆	☆	☆	☆
-40°C~+105°C						☆	☆
-55°C~+125°C							☆

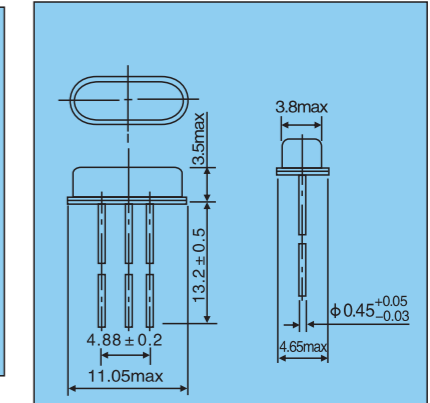
# Quartz Crystals

CRYSTAL

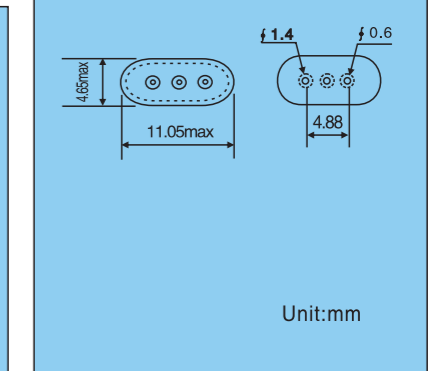
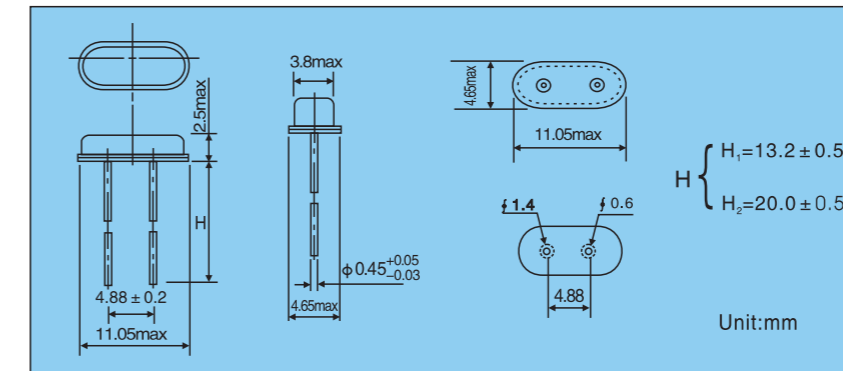
## HC-49US ( JYS1 )



## HC-49US-3 ( JYS1 - 3 )



## HC-49US(2.5) (JYS2)



## TAPE AND REEL DIMENSIONS

