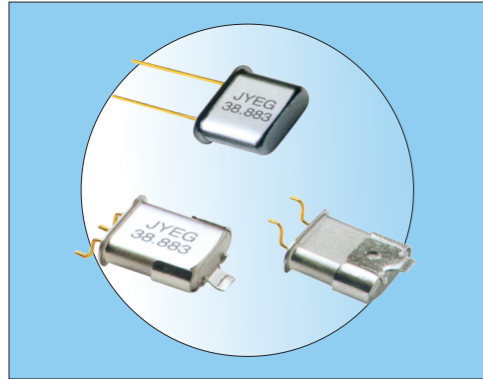


Quartz Crystals

Quartz Crystal Unit /UM-1, UM-1/SMD – CLIP

CRYSTAL



Features

- JYEG Part number: JYM1,JYM1D
- TAPE & Reel,insulator tab, 3rd lead
- Custom lead length options available
- Tight tolerance/stability

TYPICAL SPECIFICATIONS

Type	UM-1		UM-1 /SMD- CLIP	
	6~45MHZ	30~100MHZ	80~125MHZ	120~200MHZ
Frequency Range	6~45MHZ	30~100MHZ	80~125MHZ	120~200MHZ
Mode of Vibration	ATFundamental	3rd Overtone	5th Overtone	7th Overtone
Resonance Resistance(Ω)	60Max	80Max	80Max	120Max
Frequency Tolerance at 25°C	± 5ppm~ ± 50ppm			
Shunt Capacitance	7pF Max			
Frequency Stability Over Temperature Range	See table			
Load Capacitance	6~50pF or Series			
Insulation Resistance	> 500MΩ/DC100V ± 15V			
Drive Level	0.01mW~1mW			
Aging	± 3ppm/year Max			

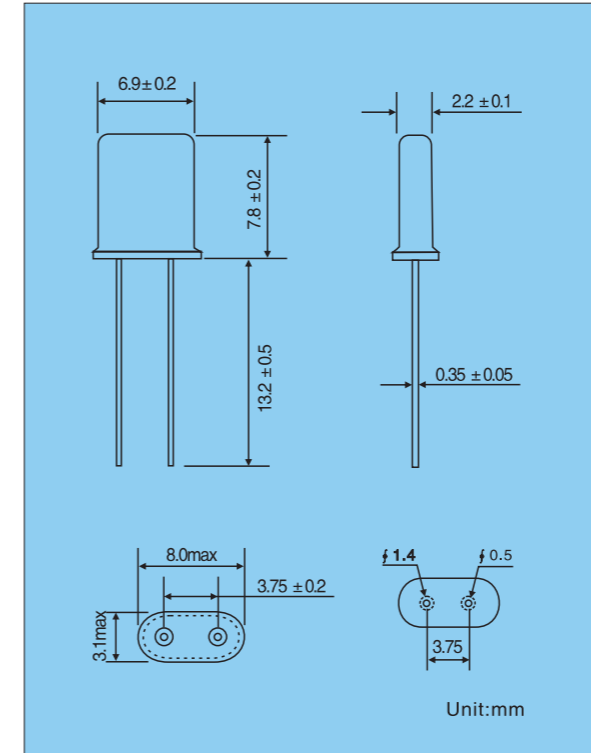
FREQUENCY STABILITY OVER TEMPERATURE RANGE(AT CUT)

Temperature Range	Frequency Stability						
	± 3ppm	± 5ppm	± 10ppm	± 15ppm	± 20ppm	± 30ppm	± 50ppm
0°C ~ +50°C	☆	☆	☆	☆	☆	☆	☆
-10°C ~ +60°C	☆	☆	☆	☆	☆	☆	☆
-20°C ~ +70°C		☆	☆	☆	☆	☆	☆
-40°C ~ +85°C				☆	☆	☆	☆
-40°C ~ +105°C						☆	☆
-55°C ~ +125°C							☆

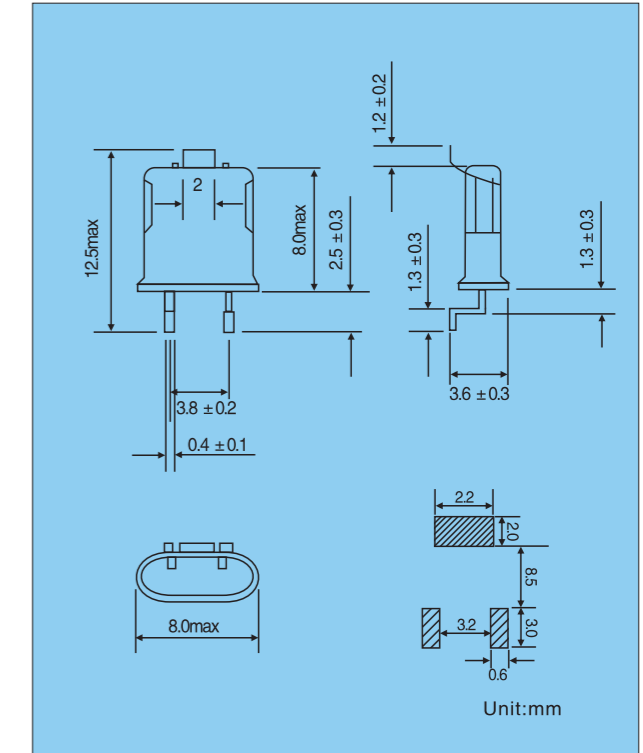
Quartz Crystals

CRYSTAL

UM-1(JYM1)



UM-1/SMD-CLIP(JYM1D)



TAPE AND REEL DIMENSIONS

